

TO-3 CAN

OVERVIEW

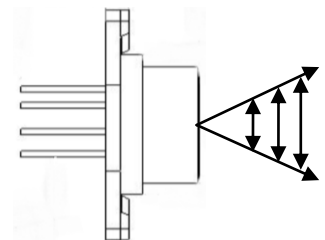
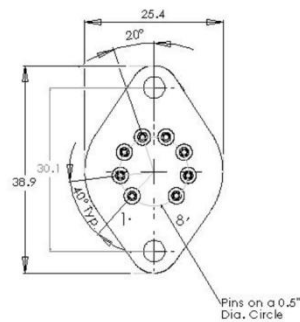
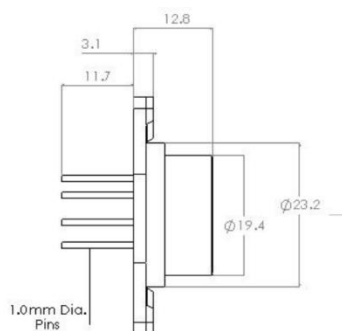
- Thermo-electrically cooled. External heat sink still required.
- Pulse operated QCL devices only.
- Sealed in a nitrogen-purged atmosphere.
- Laser Chip Location: ≈ 1.8 mm (0.07 in) behind the window's external surface.
- Typical Beam Divergence: 70° (Fast - Axis), 40° (Slow - Axis).

SPECIFICATIONS

Model No	TO3		Units
TEC Parameters (25 °C)	Max. Current	1.8	A
	Max. Voltage	6.2	V
	Max. Heat Capacity	7.0	W
	Typ. Resistance	xx	Ω
Temperature Sensor	Type	10.0 k Ω Thermistor	---
	Thermistor Constant	$A = 1.129 e^{-3}, B = 2.341 e^{-4}, C = 0.878 e^{-7}$	---
Window	Material	ZnSe	---
	Thickness	1	mm
	Diameter	12.7	mm
	Transmission	> 95	%
Weight (approx.)		20.0	g

DIMENSIONS

- Dimension: **mm**
- Linear Vertical Beam Polarization



- Pin 1 - TEC (+)
- Pin 2 - Thermistor (+)
- Pin 3 - Thermistor (-)
- Pin 4 - Laser (+)
- Pin 5 - Laser (-)
- Pin 6 -
- Pin 7 -
- Pin 8 - TEC (-)

